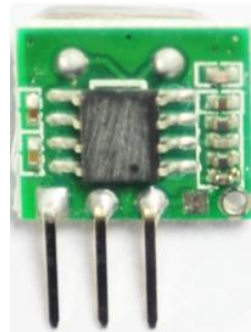

Type: ASK/OOK Super-Heterodyne Receiver Module

Model: CY49-XXX

Description:

The CY49 is an ASK/OOK compatible super heterodyne wireless receiving module with high performance for ISM frequency band. With the adoption of European brand RF wireless data transferring/receiver chipsets, the module has advantages at high receiving sensitivity, small size and low cost. It solves the problem on space for the small-sized product. From wireless signal input to data output can be done without any electrical circuit. User only use extra simple data decode circuit can achieve wireless products development.



Order Information:

Model NO.	Freq.
CY49-315	315MHz
CY49-433	433.92MHz

Features:

- Frequency: 315MHz/433.92MHz (custom frequency is available);
- High sensitivity -110dBm;
- Supply voltage: 3.6V – 5.5V;
- Low power consumption: 5V@433.92MHz, 6.8mA; 5V@315MHz, 4.8mA; continuous data rate is up to 2.4K Manchester code;
- Operating temperature: -20°C ~ 70°C
- Excellent inhibiting ability for local oscillator radiation: multiple receivers receive signals from one transmitter simultaneously without any mutual interference and influence on range;
- Favorable selectivity and inhibiting ability for stray radiation; image rejection is up to 20dB;
- Dimension: 12*10.5*5mm

Application

- Remote door openers
- Remote keyless entry
- Wireless security systems
- Remote control
- Wireless door ring
- Wireless data transmission

Pin Description

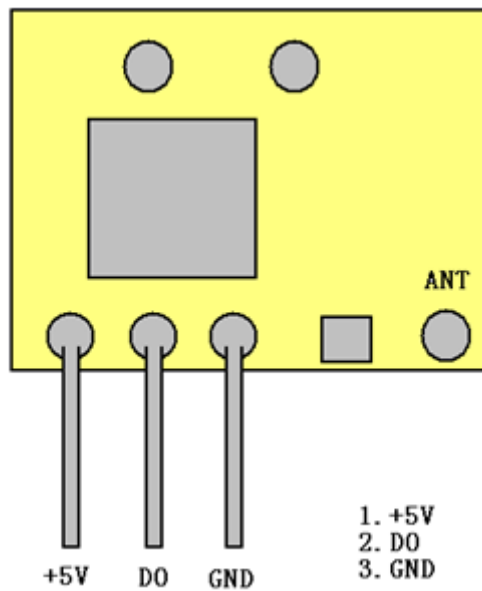


Figure1 CY49 Shape & Pins

Pin Name	Pin Definition
+5V	Connect to positive power supply
DO	Data output
GND	Ground

Note1: ANT pin is a 50 ohm antenna input. The length is about:
 23cm for 315MHz
 17cm for 433.92MHz

**Electrical Characteristics:**

Condition: Ta=25°C Vcc=5V Frequency=315MHz

Characteristics	Specification			Unit	Note
	Min.	Typ.	Max.		
Frequency Range	314.9	315	315.1	MHz	
Modulation	ASK				
RF Sensitivity		-111		dBm	50Ohm antenna input directly/1K Kbps
Receiving Bandwidth		200		KHz	
Supply Voltage, VDD	3.6	5	5.5	V	
Current	4.6	4.8	5.0	mA	
Image Rejection		35		dB	
Decoding output max. voltage	3.5		5	V	RL=500K
Decoding output min. voltage			0.5	V	
Operating Temperature	-20		70	°C	

Condition: Ta=25°C Vcc=5.0V Frequency=433.92MHz

Characteristics	Specification			Unit	Note
	Min.	Typ.	Max.		
Frequency Range	433.82	433.92	434.02	MHz	
Modulation	ASK				
RF Sensitivity		-110		dBm	50Ohm antenna input directly/1K Kbps
Starting Time			5	ms	
Receiving Bandwidth		200		KHz	
Supply Voltage, VDD	3.6	5	5.5	V	
Current	6.5	6.8	7.0	mA	
Decoding output max. voltage	3.5	5	5	V	RL=500K
Decoding output min. voltage			0.5	V	
Operating Temperature	-20		70	°C	

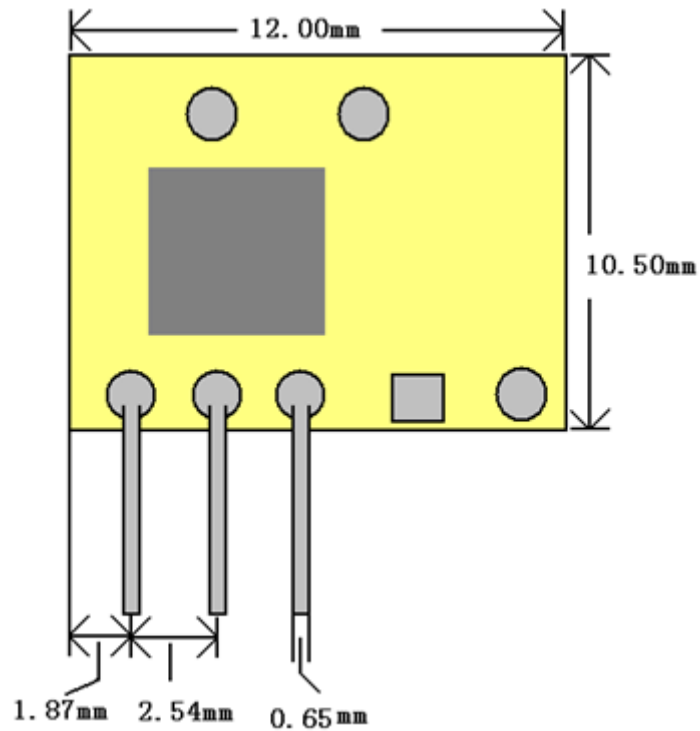
Mechanical Size: (Unit: MM)

Figure2 CY49 Dimension

For more information and assistance, please contact us as follows:

CY WIRELESS TECHNOLOGY LIMITED

Add: 1407, Block C, Tairan Building, 8th Tairan Road, Futian District,

Shenzhen, Guangdong Province, China

Website: www.rficy.com

Email: info@rficy.com