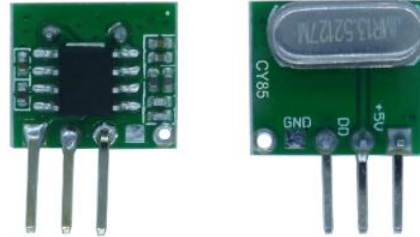

Type: ASK/OOK Super-Heterodyne Receiver Module

Model: CY85-XXX

Description:

The CY85 is an ASK/OOK compatible super heterodyne wireless receiving module with high performance for ISM frequency band. With the adoption of European brand RF wireless data transferring/receiver chipsets, the module has advantages at high receiving sensitivity, small size and low cost. It solves the problem on space for the small-sized product. From wireless signal input to data output can be done without any electrical circuit. User only use extra simple data decode circuit can achieve wireless products development.



Order Information:

Model NO.	Frequency
CY85-315	315 MHz
CY85-433	433.92 MHz

Features:

- Frequency: 315MHz/433.92MHz (custom frequency is available);
- High sensitivity -110dBm;
- Supply voltage: 3.6V – 5.5V;
- Low power consumption: 5V @ 315MHz, 4.8mA; 5V @ 433.92MHz, 6.8mA;
- Data Rate: 2.4Kbps (Manchester Code)
- Operating temperature: -20°C ~ 70°C, work normally even in the severe temperature environment;
- Excellent inhibiting ability for local oscillator radiation: multiple receivers receive signals from one transmitter simultaneously without any mutual interference and influence on range;
- Favorable selectivity and inhibiting ability for stray radiation; image rejection is up to 20dBm;
- Dimension: 12*10.5*5mm

Application

- Remote door openers
- Remote keyless entry
- Wireless security systems
- Remote control
- Wireless door ring
- Wireless data transmission

Pin Description

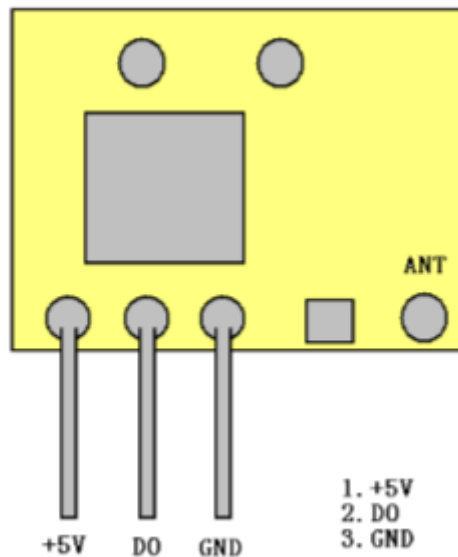


Figure1 CY85 Shape & Pins

Pin-out as showed in figure 1 above

Pin	Pin Name	Pin Definition
1	+5V	Connect to positive power supply
2	DO	Data Output
3	GND	Ground

Note 1: ANT pin is a 50 ohm antenna input. The length is about:

23cm for 315MHz

17cm for 433.92MHz

**Electrical Characteristics:**

Condition: Ta=25°C Vcc=5V Frequency=315MHz

Characteristics	Specification			Unit	Note
	Min.	Typ.	Max.		
Frequency Range	314.9	315	315.1	MHz	
Modulation	ASK				
RF Sensitivity		-111		dBm	50Ohm antenna input directly/1K Kbps
Receiving Bandwidth		200		KHz	
Supply Voltage, VDD	3.6	5	5.5	V	
Current	4.6	4.8	5	mA	
Decoding output max. voltage	3.5		5	V	RL=500K
Decoding output min. voltage			0.5	V	
Operating Temperature	-20		70	°C	

Condition: Ta=25°C Vcc=5V Frequency=433.92MHz

Characteristics	Specification			Unit	Note
	Min.	Typ.	Max.		
Frequency Range	433.82	433.92	434.02	MHz	
Modulation	ASK				
RF Sensitivity		-110		dBm	50Ohm antenna input directly/1K Kbps
Receiving Bandwidth		200		KHz	
Start-up Time			5	ms	
Supply Voltage, VDD	3.6	5	5.5	V	
Current	6.5	6.8	7.0	mA	
Decoding output max. voltage	3.5	5	5	V	RL=500K
Decoding output min. voltage			0.5	V	
Operating Temperature	-20		70	°C	

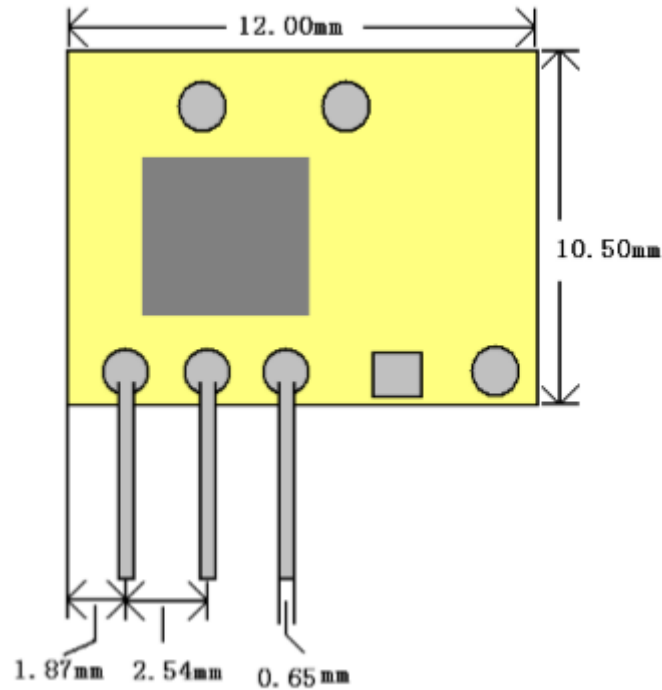
Mechanical Size: (Unit: MM)

Figure2 CY85 Dimension

For more information and assistance, please contact us as follows:

CY WIRELESS TECHNOLOGY LIMITED

Add: 1407, Block C, Tairan Building, 8th Tairan Road, Futian District,

Shenzhen, Guangdong Province, China

Website: www.rficy.com

Email: info@rficy.com