

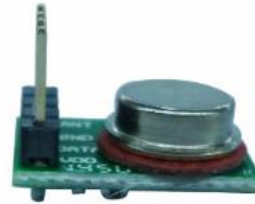


Type: ASK/OOK Super-Heterodyne Transmitter Module

Model: CYT1

Description:

The CYT1 is an ASK transmitter module. It is simple to use with excellent performance. The CYT1 is designed specifically for remote-control, wireless mouse and car alarm system operating at 315MHz/433.92MHz.



Vertical Type

Order Information:

Model NO.	Frequency
CYT1-315	315 MHz
CYT1-433	433.92 MHz



Parallel Type

Features:

- The range can be 500m when matching with CY11
- Operation voltage: VCC= 2.6 to 12V;
- Frequency: 315MHz/433.92MHz(custom frequency is available);
- High output power: 12dBm;
- Frequency tolerance: ± 75 KHz;
- Current: 12mA;
- Operating temperature: $-20^{\circ}\text{C} \sim +70^{\circ}\text{C}$
- Bit rate: $<1.2\text{kbps}$;

Application

- Remote gate controls
- Remote keyless entry
- Car alarm systems
- Wireless security systems
- Automation systems

Pin Description

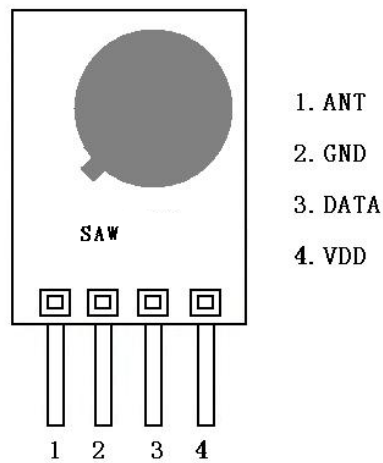


Figure1 CYT1 Shape & Pins

Pin-out as showed in figure 1 above

Pin Name	Pin Definition
ANT	Antenna Out
GND	Connect to negative power supply
DATA	Data connected to MCU
VDD	Connect to positive power supply

Note 1: ANT pin is a 50 ohm antenna input. The length is about:
 23cm for 315MHz
 17cm for 433.92MHz

Electrical Characteristics:

Condition: Ta=25°C Vcc=5.0V

Characteristics	Symbol	Condition	Value			Unit
			Min.	Typ.	Max.	
Frequency	Fc		315		433.92	MHz
Modulation Mode			ASK			
Output power		5V/50Ω		12		dBm
Data-rate				1.2		Kbps
Frequency Tolerate	Fc			±75		KHz
Current	IRC				12	mA
Working Voltage	VCC		2.6		12	V
Working Temperature	TC		-20		+70	°C

Mechanical Size: (Unit: MM)

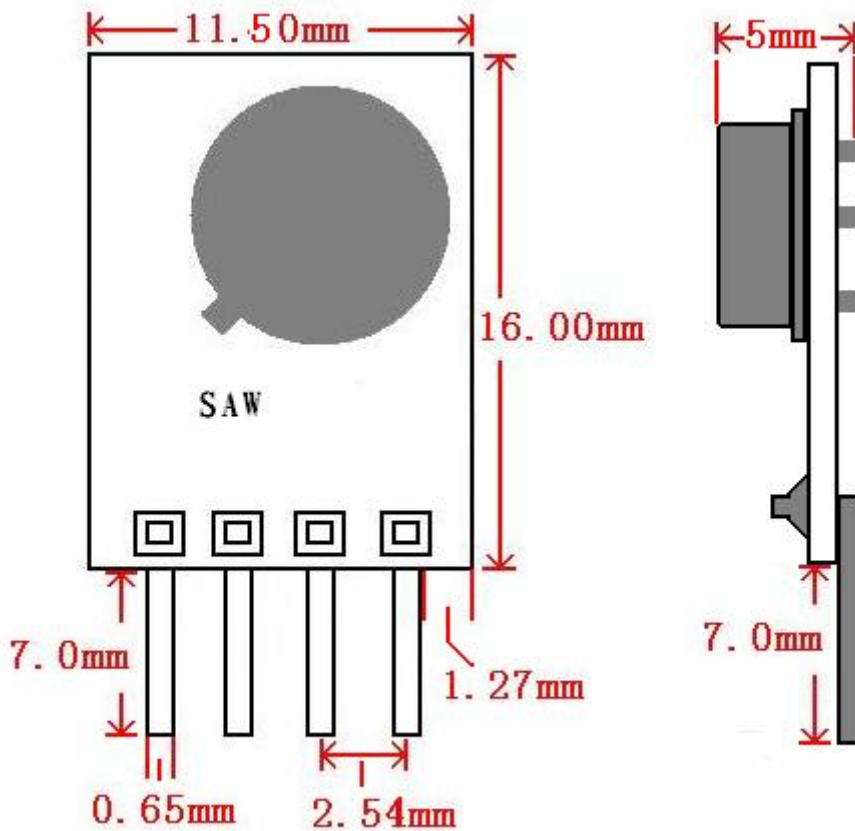


Figure2 CYT1 Dimension



For more information and assistance, please contact us as follows:

CY WIRELESS TECHNOLOGY LIMITED

Add: 1407, Block C, Tairan Building, 8th Tairan Road, Futian District,

Shenzhen, Guangdong Province, China

Website: www.rficy.com

Email: info@rficy.com